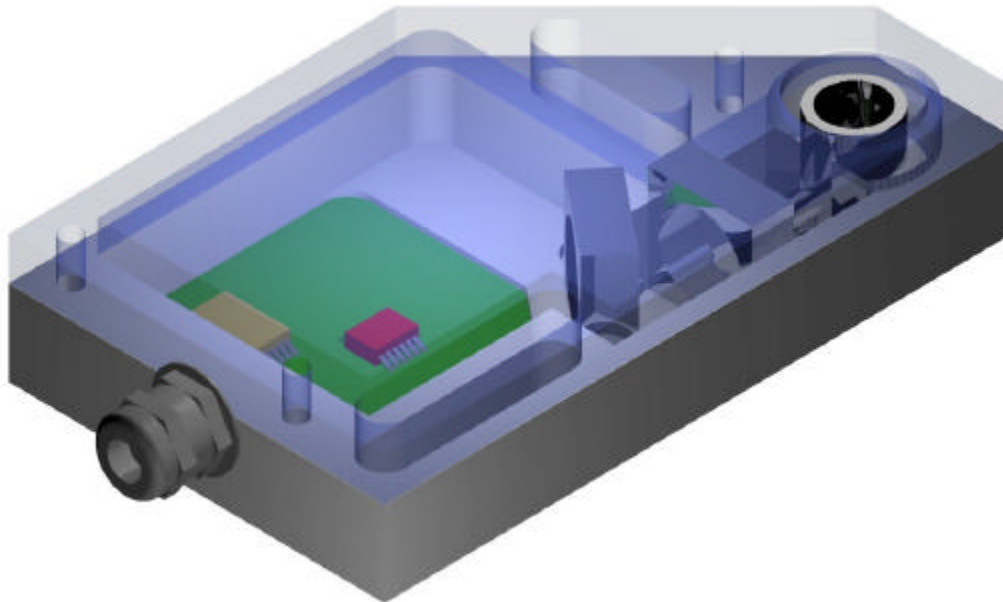
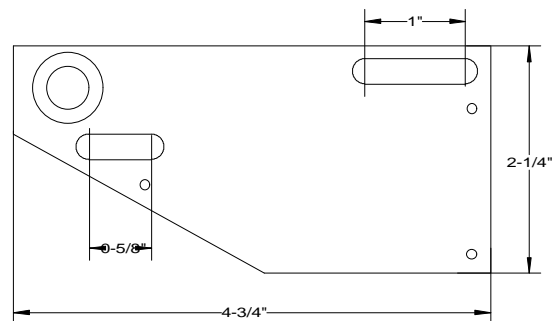


Part number : 4155



Optical specifications:

Spectral resolution 5 nm
 Spectral range 420 - 800 nm
 Spatial sensitivity 10 degree cone angle



Mechanical specifications:

Two mount holes have 1/4" width.
 USB cable has 6' length.

Software kit :

1. Device driver for Windows 98
2. Application program
3. Instruction file

To install the application program:
 From START menu choose RUN and type
 A:\SETUP.EXE.

To install the device driver:
 Plug the spectrometer into USB port and
 follow instructions

