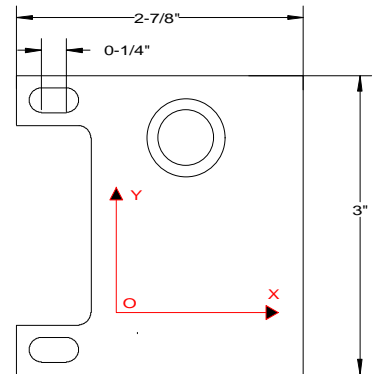
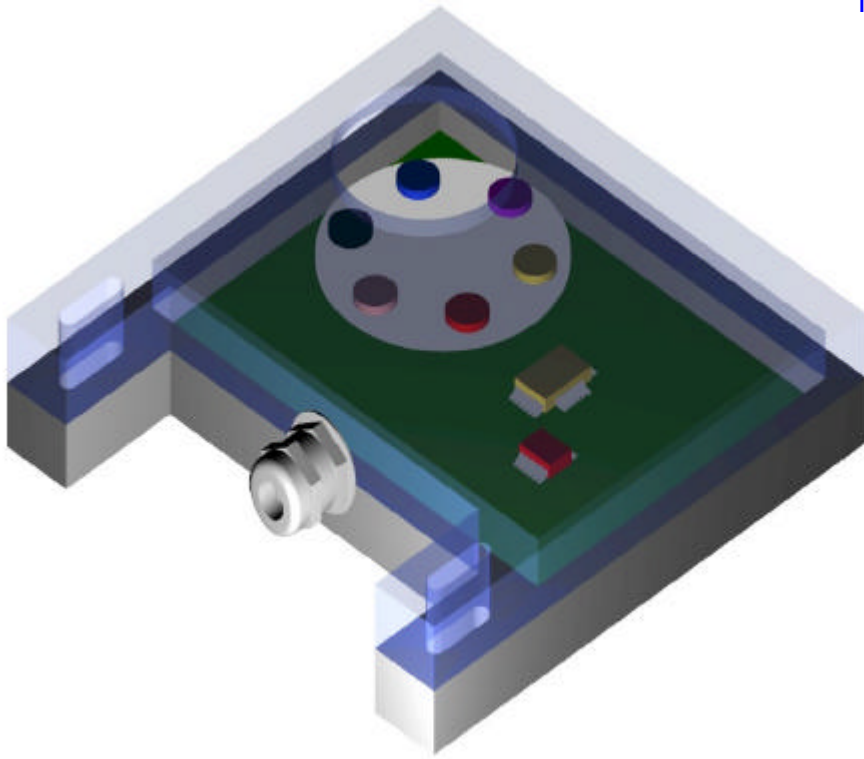


Number : 4255. wavelength



Optical specifications:

- Accuracy
 - Degree-of-polarization - 1%
 - Azimuth angle - 1 deg.
 - Ellipticity - 0.01
- Aperture diameter 8 mm
- Available spectral length 500 to 800 nm

Electrical specifications:

USB powered

Software :

1. Device driver for Windows 98
2. Application program
3. Instruction file

Application program shows

1. normalized Stokes vector
2. degree-of polarization
3. azimuth angle
4. ellipticity
5. Jones vector
6. Poincare's sphere

